



HSM9 PARTS BOOK



Revision #00
Starting Serial #711664

HSMFG0317 Part #77516

Manufactured By
H&S MANUFACTURING CO.,INC.

P.O. BOX 768 (715) 387-3414 FAX (715) 384-5463
MARSHFIELD, WISCONSIN 54449

CONTENTS

| | |
|---|-------|
| Instructions for Ordering Parts. | 1 |
| Figure 1 - Main Frame. | 2-5 |
| Figure 2 - Pole. | 6-7 |
| Figure 3 - Pick - Up Head. | 8-11 |
| Figure 4 - Hydraulics. | 12-13 |
| Figure 5 - Merger Extension. | 14-15 |
| Figure 6 - 2'4'/6' Extension Hydraulics. | 16-17 |
| Figure 7 - Merger Wiring & Lights. | 18-19 |
| Figure 8 - Merger Wiring. | 20-21 |
| Figure 9 - Merger Control Box. | 22-23 |
| Figure 10 - Merger Pickup Hydraulic Cylinder 2 X 8. | 24 |
| Figure 11 - Merger Pole Hydraulic Cylinder. | 25 |
| Figure 12 - Merger Optional Extension Hydraulic Cylinder. | 26 |
| Figure 13 - Optional Windrow Inverter | 27 |
| Figure 14 - Optional Cross Conveyor Stop Kit. | 28-29 |
| Figure 15 - Merger Optional Wet Kit | 30-33 |
| Figure 16 - Extension Shut-off. | 34 |
| Parts Notes | 35 |

INSTRUCTIONS FOR ORDERING PARTS

All service parts should be ordered through your authorized H&S dealer. They will be able to give you faster service if you will provide them with the following

1. Model & Serial number is located on the right side frame behind the transport wheel.
2. All reference to left or right apply to the machine as viewed from the rear.
3. Parts should not be ordered from illustration only. Please order by complete part number.
4. If your dealer has to order parts - give shipping instructions:

VIA truck - large pieces (please specify local truck lines)

VIA United Parcel Service (include full address)

| | |
|------------------------------|----------------------|
| H&S MFG. CO. INC. | |
| MARSHFIELD, WIS. | |
| MOD. NO. | <input type="text"/> |
| SER. NO. | <input type="text"/> |
| DESCR. | <input type="text"/> |

PLEASE RECORD NUMBERS FOR YOUR UNIT FOR QUICK REFERENCE

ABOUT IMPROVEMENTS

H&S IS CONTINUALLY STRIVING TO IMPROVE IT'S PRODUCTS

We must therefore, reserve the right to make improvements or changes whenever it becomes practical to do so without incurring any obligation to make changes or additions to the equipment previously sold.

FIGURE 1

MAIN FRAME

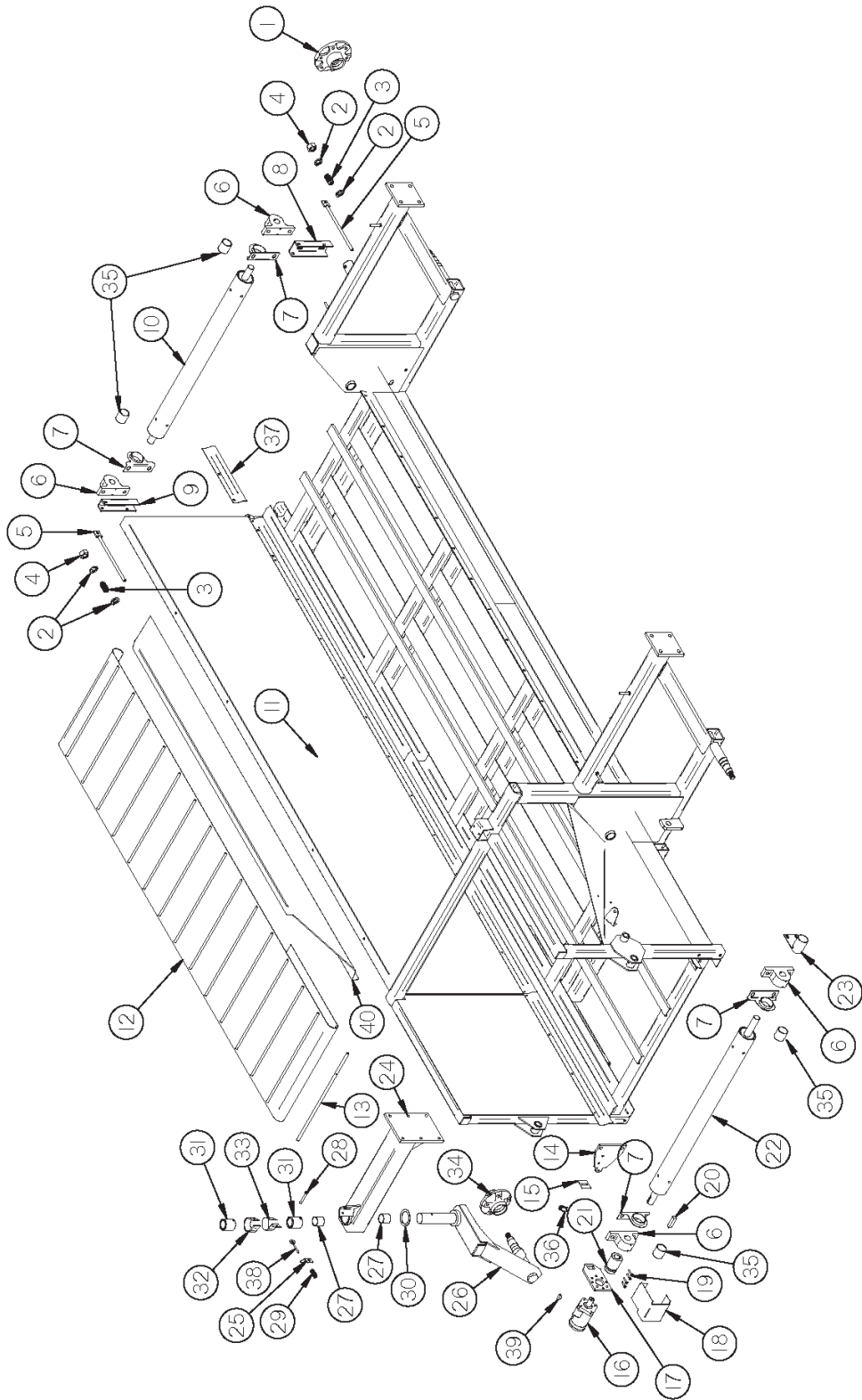


FIGURE 1

MAIN FRAME

| <u>ITEM</u> | <u>PART #</u> | <u>DESCRIPTION</u> |
|-------------|---------------|-----------------------------------|
| 1 | RG101 | HUB WITH RACES |
| * | RG254 | HUB COMPLETE |
| * | RG98 | SEAL |
| * | 12N18 | INNER BEARING |
| * | 12N19 | INNER RACE |
| * | YBSD16010 | STUD BOLT |
| * | YNWL16005 | STUD NUT |
| * | 17G146 | OUTER RACE |
| * | 12N25 | OUTER BEARING |
| * | YWFL28005 | WASHER |
| * | YNSL28005 | HUB NUT |
| * | 17G144 | HUB CAP |
| * | YPCT05020 | 5/32" X 1-3/4" COTTER PIN |
| * | UR1 | 9.5 L X 15 TIRE AND TUBE |
| * | 12N24 | WHEEL 15 X 8 |
| 2 | YWFL16005 | WASHER 1/2" |
| 3 | DWM125 | SPRING-BLUE |
| 4 | YNHX16005 | NUT 1/2" |
| 5 | DWM25 | TIGHTENER |
| 6 | DWM132 | PILLOW BLOCK BEARING |
| 7 | DWM36 | ANTI-WRAP GUARD |
| 8 | SWM34 | TIGHTENER ARM |
| 9 | SWM33 | BACK TIGHTENER ARM |
| 10 | SWM10 | CONVEYOR ROLLER |
| 11 | WM229 | MAIN FRAME |
| 12 | WM237 | CROSS CONVEYOR BELT |
| * | SWM38 | CROSS CONVEYOR LACING |
| * | WM379 | DUTCHMEN BELT 42" X 3-1/4" SINGLE |
| 13 | SWM37 | LACING PIN |
| 14 | DWM51 | MALE TORQUE ARM |
| 15 | DWM45 | MOTOR SPACER |
| 16 | DF1 | HYDRAULIC MOTOR |
| * | WM225 | SEAL KIT |
| 17 | DWM39 | TORQUE ARM |
| 18 | DWM41 | MOTOR SHIELD |
| 19 | YSHS08045 | CAP SCREW-COUPLER |

NOTE: * MEANS NOT SHOWN

FIGURE 1

MAIN FRAME

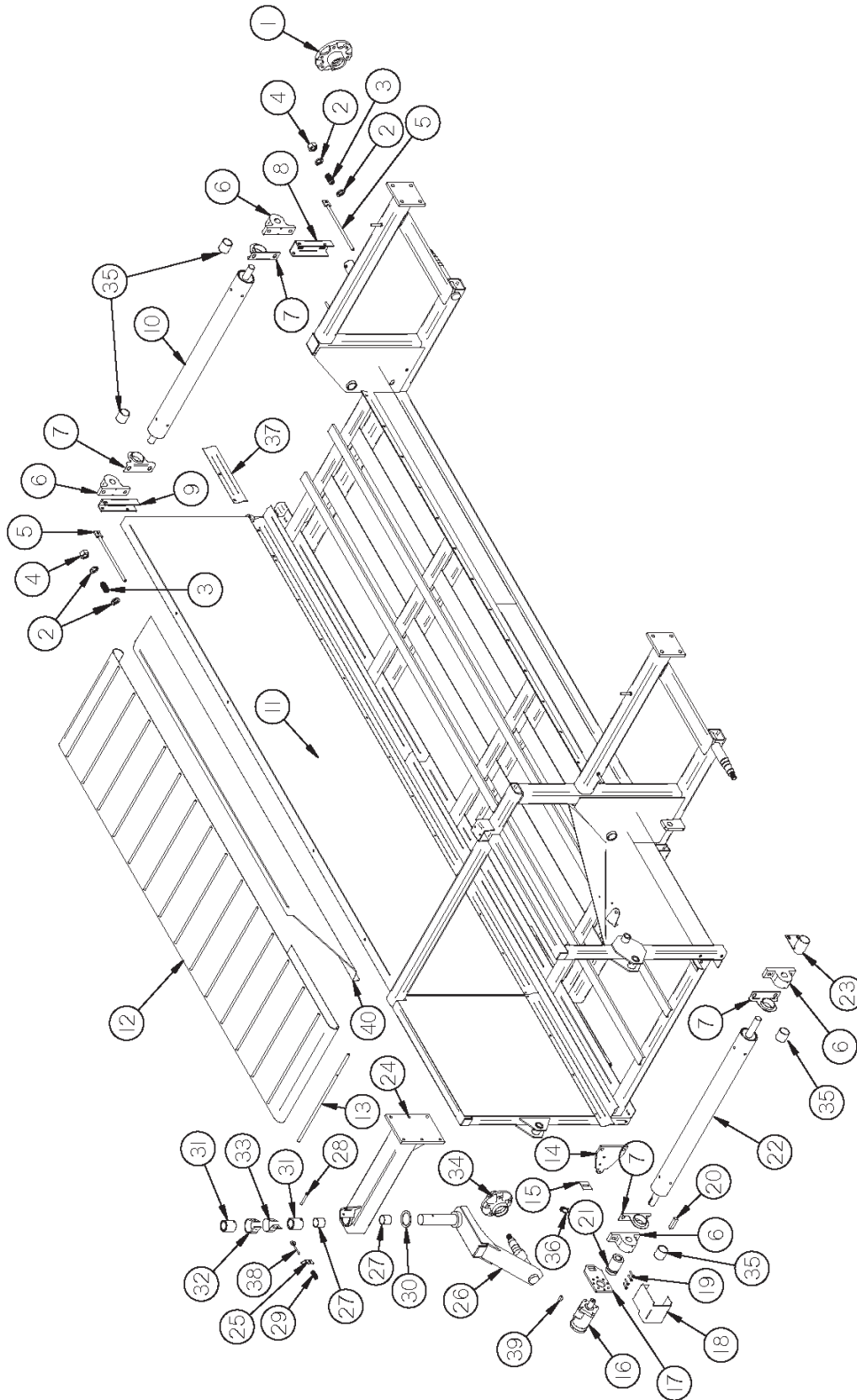


FIGURE 1

MAIN FRAME

| <u>ITEM</u> | <u>PART #</u> | <u>DESCRIPTION</u> |
|-------------|---------------|---|
| 20 | G23B | KEY 5/16" X 1-3/8" |
| 21 | DWM27 | COUPLER |
| 22 | SWM11 | DRIVE ROLLER |
| 23 | DWM31 | SHAFT SHIELD |
| 24 | SWM3 | CASTER MOUNT |
| 25 | WM211 | BRAKE ANGLE |
| 26 | SWM2 | CASTER |
| 27 | RG26 | BUSHING, BRONZE, 2.015" ID X 2.25" OD X 2.00" |
| 28 | BFR313 | ROLL PIN 5/16" X 2-3/4" |
| 29 | WM210 | SPRING-RED |
| 30 | RG24 | BRONZE WASHER 2"ID X 3"OD X 1/8" |
| 31 | DWM59 | BRAKE BUSHING |
| 32 | WM288 | BRAKE PAD |
| 33 | WM286 | BRAKE BAND |
| 34 | BFR60 | HUB WITH RACES |
| * | BFR75 | HUB (COMPLETE) |
| * | BFR57 | SEAL |
| * | 17G145 | INNER BEARING |
| * | 17G146 | INNER RACE |
| * | YBSD16005 | STUD BOLT |
| * | YNWL16005 | STUD NUT |
| * | BFR61 | OUTER RACE |
| * | BFR62 | OUTER BEARING |
| * | YWFL24010 | WASHER |
| * | YNSL24010 | NUT |
| * | BFR66 | HUB CAP |
| * | YPCT05010 | COTTER PIN |
| * | BFR128 | TIRE 6.70 X 15 SL |
| * | BFR67 | WHEEL 15 X 5 |
| 35 | SWM30 | SPACER |
| 36 | S122 | CLIP PIN CABLE |
| 37 | SWM59 | LEFT REAR GUARD EXTENSION |
| 38 | YBTE10040 | I-BOLT |
| 39 | 5B10 | KEY 1/4" X 1" WOODRUFF |
| 40 | WM300 | HAY DEFLECTOR |

NOTE: * MEANS NOT SHOWN

FIGURE 2

POLE

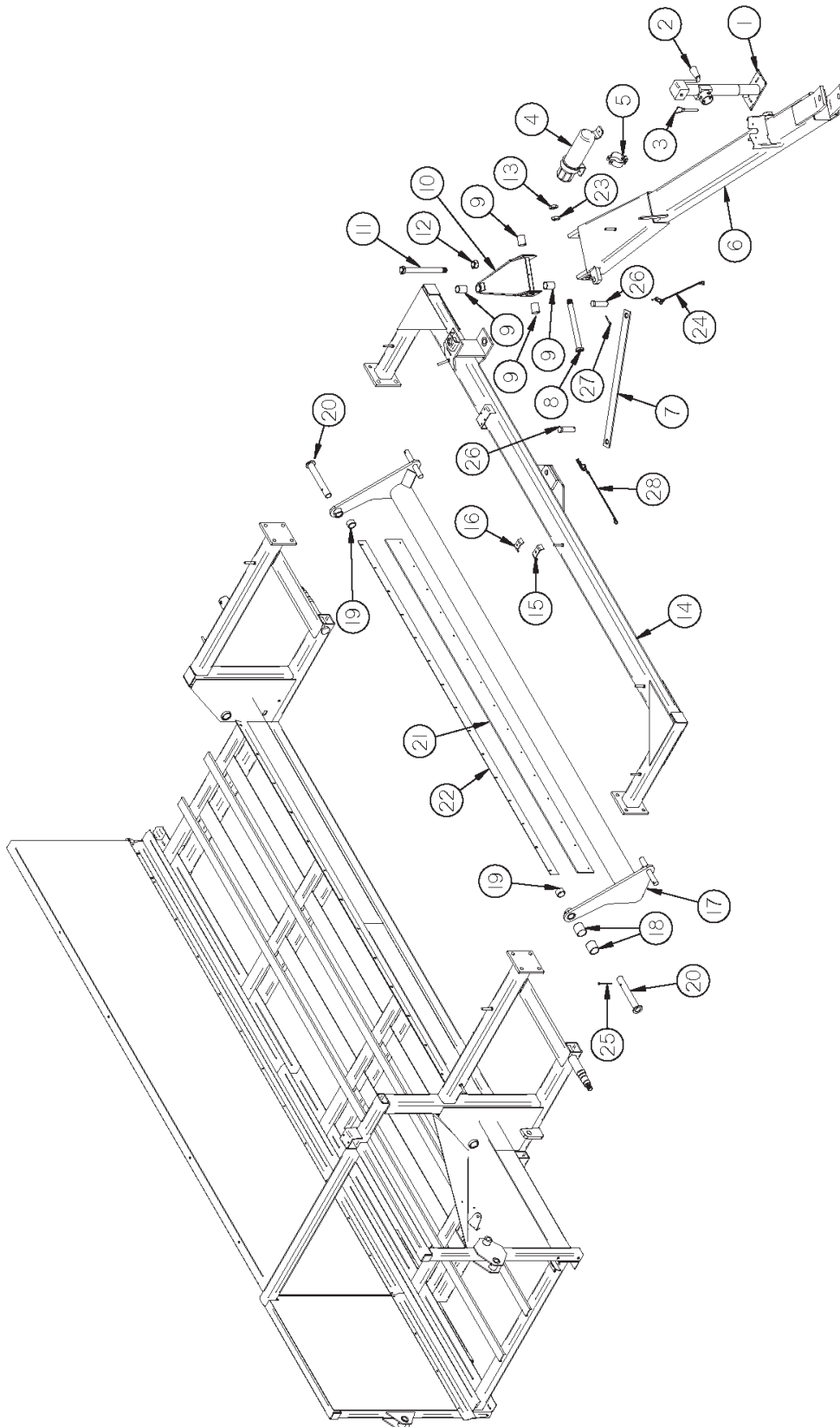


FIGURE 2

POLE

| <u>ITEM</u> | <u>PART #</u> | <u>DESCRIPTION</u> |
|--------------------|----------------------|--------------------------------|
| 1 | BFR753 | JACK |
| 2 | 5N78 | JACK HANDLE |
| 3 | 12N117 | JACK PIN & CHAIN |
| 4 | S522 | MANUAL HOLDER |
| 5 | S523 | MANUAL CLAMP LARGE |
| 6 | WM227 | POLE |
| 7 | WM129 | TRANSPORT LOCK |
| 8 | WM202 | POLE PIN |
| 9 | RG11 | BUSHING 1" ID X 1-1/4" OD X 2" |
| 10 | WM228 | STEERING PIVOT |
| 11 | WM231 | QUEEN PIN |
| 12 | YNSL32005 | NUT-SLOTTED 1"-14 FULL THREAD |
| 13 | YNJM32005 | JAM NUT 1"-14 FULL THREAD |
| 14 | WM226 | TONGUE CROSS |
| 15 | HE42 | HOSE BRACKET |
| 16 | 23N67 | HOSE BRACKET FRONT |
| 17 | WM230 | PICKUP LIFTER |
| 18 | RG132 | BUSHING 1-1/4" ID X 2" |
| 19 | SWM30 | SPACER |
| 20 | SWM13 | PIN |
| 21 | WM235 | SKIRT BELT |
| 22 | WM236 | SKIRT |
| 23 | YWSI32005 | 1" STAR WASHER |
| 24 | WM378 | LANYARD, TRANSPORT LOCK |
| 25 | YBHH08085 | BOLT 1/4" X 3" GR. 5 |
| 26 | YPCV32020 | CLEVIS PIN 1" X 3-1/4" |
| 27 | YPCT06020 | COTTER PIN |
| 28 | WM377 | LANYARD, CROP ROLLER |

FIGURE 3

PICK - UP HEAD

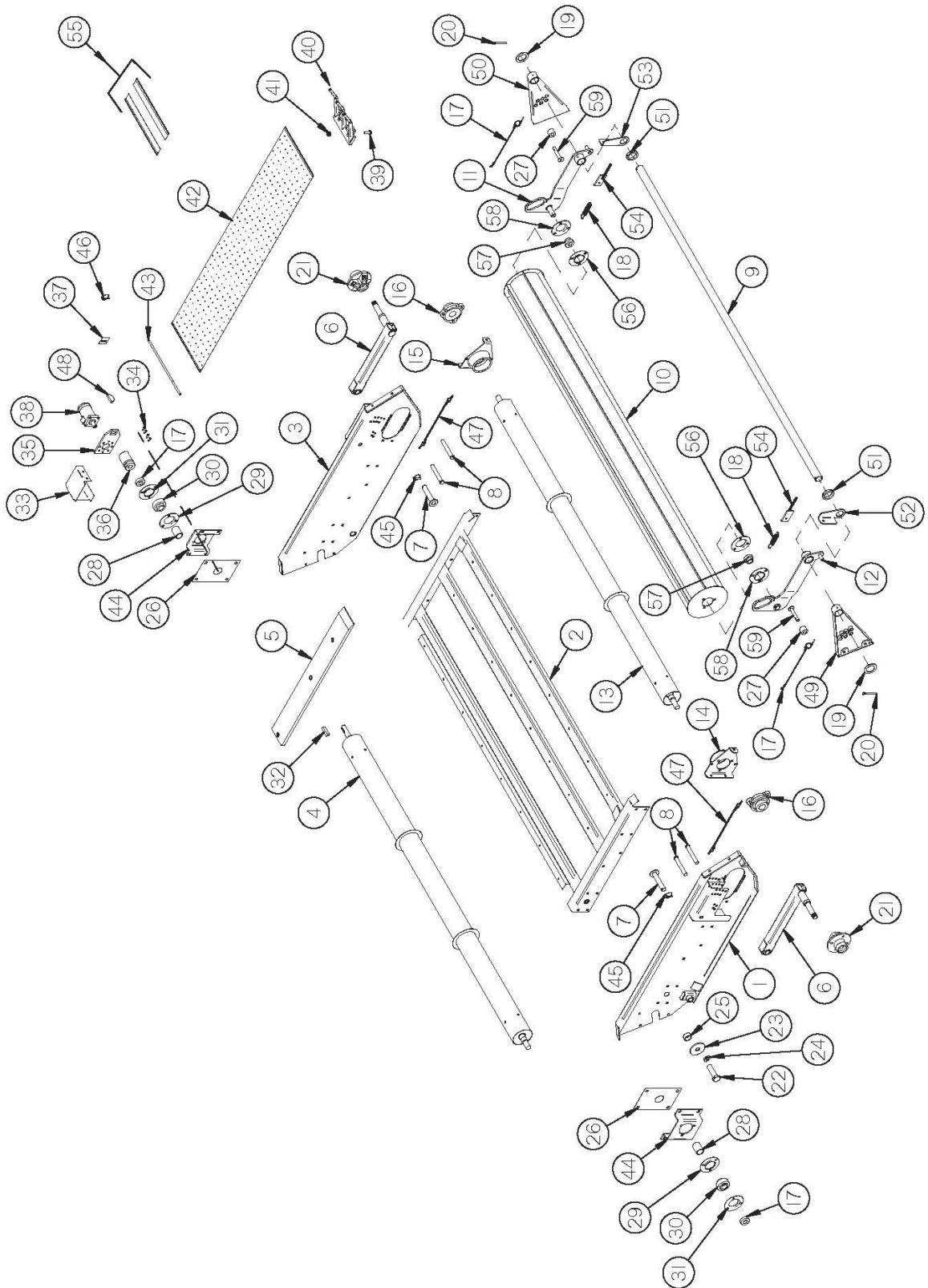


FIGURE 3

PICK - UP HEAD

| <u>ITEM</u> | <u>PART #</u> | <u>DESCRIPTION</u> |
|-------------|---------------|-----------------------------------|
| 1 | DWM6 | RIGHT HEAD PANEL |
| 2 | WM234 | FLAT BELT FRAME |
| 3 | DWM5 | LEFT HEAD PANEL |
| 4 | WM341 | HEAD DRIVE ROLLER |
| 5 | SWM15 | SLIDES (8) |
| 6 | DWM229 | GAUGE ARMS |
| 7 | DWM7 | PIVOT PIN |
| 8 | YPCV16020 | CLEVIS PIN 1/2" X 5" |
| 9 | WM357 | FRONT SUPPORT |
| 10 | WM356 | 9' CROP ROLLER |
| 11 | WM348 | LEFT ARM |
| 12 | WM349 | RIGHT ARM |
| 13 | WM342 | FRONT IDLER ROLLER |
| 14 | WM179 | RIGHT FRONT ROLLER BRACKET |
| 15 | WM192 | LEFT FRONT ROLLER BRACKET |
| 16 | 55660 | 3 BOLT PILLOW BLOCK BRG W/COLLAR |
| 17 | WM377 | LANYARD, CROP ROLLER |
| 18 | ST36 | SPRING |
| 19 | DWM227 | WIND GUARD WASHER |
| 20 | YPCT08010 | COTTER PIN 1/4" X 2-1/2" |
| 21 | CAT177 | HUB-COMPLETE |
| * | CAT135A | SEAL |
| * | CAT10 | BEARING (2) |
| * | BFR275 | RACE (2) |
| * | YBSD16005 | STUD |
| * | YNWL16005 | LUG NUT |
| * | YNSL32005 | HEX NUT SLOTTED 1"-14 |
| * | YPCT05010 | COTTER PIN |
| * | CAT46 | HUB CAP |
| * | SWM17 | WHEEL (2) |
| * | SWM18 | TIRE 5.70-8 (2) |
| 22 | YBHH32005 | BOLT 1" X 2-1/2" GR.5 FULL THREAD |
| 23 | WM218 | WASHER |
| 24 | YWLO32005 | 1" LOCK WASHER |
| 25 | WM183 | PIVOT BUSHING |
| 26 | WM180 | SIDE PANEL SLOT PLATE |
| 27 | WM187 | BEARING BRACKET RH |
| 28 | WM343 | SPACER |

NOTE: * MEANS NOT SHOWN

FIGURE 3

PICK - UP HEAD

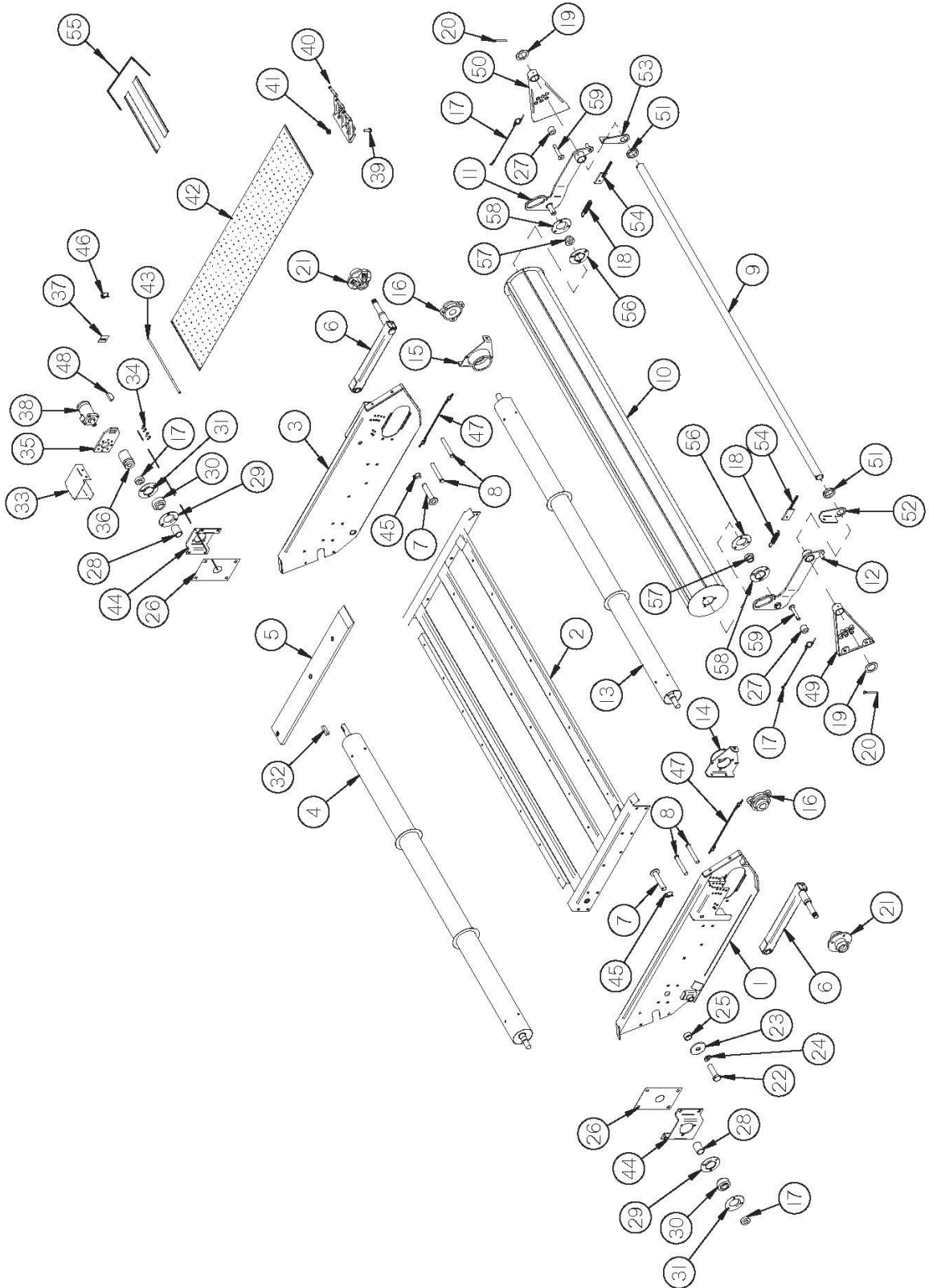


FIGURE 3

PICK - UP HEAD

| <u>ITEM</u> | <u>PART #</u> | <u>DESCRIPTION</u> |
|-------------|---------------|------------------------------------|
| 29 | F145 | FLANGE |
| 30 | 55659 | 1-1/4" HEAVY BRG WITH LOCK COLLAR |
| 31 | F143 | FLANGE (GREASEABLE) |
| 32 | G23B | KEY 5/16" X 1-3/8" |
| 33 | DWM40 | HEAD SHIELD |
| 34 | YSHS08045 | CAP SCREW-COUPLER |
| 35 | DWM39 | HYDRAULIC MOTOR MOUNT |
| 36 | DWM27 | COUPLER |
| 37 | DWM45 | MOTOR SPACER |
| 38 | DWM84 | HYDRAULIC MOTOR |
| * | WM225 | SEAL KIT |
| 39 | YBEV08005 | 1/4" X 3/4" ELEVATOR BOLTS (780) |
| 40 | SWM1 | PICKUP TEETH (390) |
| 41 | YNLK08005 | 1/4" KEPS LOCK NUTS (780) |
| 42 | SWM56 | PICKUP BELTS - ONLY |
| * | SWM57 | COMPLETE BELT W/ TEETH |
| 43 | SWM41 | LACING PIN |
| 44 | WM186 | BEARING BRACKET LH |
| 45 | YPCT06020 | 3/16" X 2" COTTER PIN |
| 46 | YPLY08011 | LYNCH PIN, 1/4" X 1-9/16" #63-02 |
| 47 | HD225 | LANYARD, HITCH |
| 48 | 5B10 | KEY 1/4" X 1" WOODRUFF |
| 49 | WM350 | RIGHT BRACKET |
| 50 | WM351 | LEFT BRACKET |
| 51 | WM347 | COLLAR |
| * | YPSKP10010 | SET SCREW, SOCKET, 5/16 - 18 X 3/8 |
| 52 | WM362 | SPRING TIGHTENER BRACKET RIGHT |
| 53 | WM363 | SPRING TIGHTENER BRACKET LEFT |
| 54 | 12V78 | TIGHTENER BRACKET |
| 55 | SWM64 | REPAIR DUTCHMAN KIT |
| * | SWM63 | DUTCHMAN ASSEMBLY |
| 56 | F14 | FLANGE |
| 57 | 12N122 | 1-1/4" BEARING WITH LOCK COLLAR |
| 58 | F114A | FLANGE (45° ZERK) |
| 59 | WM354 | ADJUSTMENT PIN |

NOTE: * MEANS NOT SHOWN

FIGURE 4 HYDRAULICS

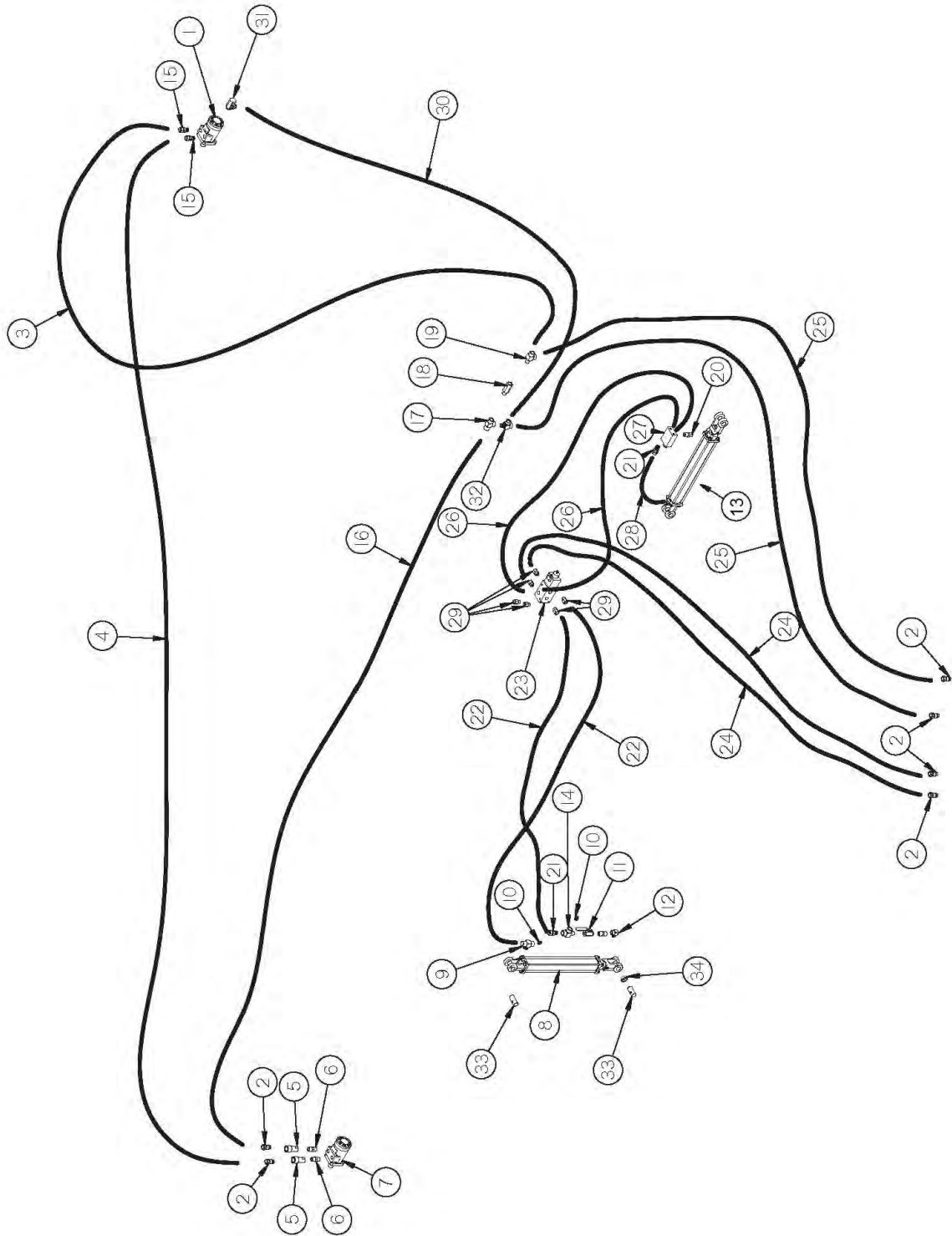


FIGURE 4

HYDRAULICS

| <u>ITEM</u> | <u>PART #</u> | <u>DESCRIPTION</u> |
|-------------|---------------|--------------------------------|
| 1 | DWM84 | HYDRAULIC MOTOR |
| * | WM225 | SEAL KIT |
| 2 | DWM205 | MALE COUPLER |
| 3 | WM255 | HOSE 1/2" X 84" |
| 4 | WM310 | HOSE 1/2" X 358" |
| 5 | DWM206 | FEMALE COUPLER |
| 6 | WM141 | 1/2" NIPPLE NUT |
| 7 | DF1 | HYDRAULIC MOTOR |
| * | WM225 | SEAL KIT |
| 8 | 55999 | 2" X 8" HYDRAULIC CYLINDER |
| 9 | WM146 | 1/2" MALE/ FEMALE TEE |
| 10 | WM147 | PIPE PLUG 3/8" |
| 11 | 16SV338 | 3/8" BALL VALVE |
| 12 | 23N234 | ELBOW, STREET, 3/8", 90 DEGREE |
| 13 | 56001 | 2" X 16" CYLINDER |
| 14 | 23N116 | 3/8" SERVICE TEE |
| 15 | MA12 | 1/2" MALE ADAPTER UNION |
| 16 | WM311 | HOSE 1/2" X 266" |
| 17 | DF8 | 1/2" TEE |
| 18 | DF18 | 1/2" CHECK VALVE |
| 19 | 16SV352 | 1/2" SERVICE TEE |
| 20 | BFR188 | 3/8" NIPPLE NUT |
| 21 | T244 | ADAPTER UNION W/ .042" ORIFICE |
| * | BFR122 | ADAPTER UNION |
| * | DWM250 | ORIFICE .042 |
| 22 | WM257 | HOSE 1/4" X 140" |
| 23 | FR81 | VALVE |
| * | WM325 | SOLENOID |
| 24 | WM258 | HOSE 1/4" X 164" |
| 25 | WM259 | HOSE 1/2" X 164" |
| 26 | WM260 | HOSE 1/4" X 24" |
| 27 | WM176 | POLE LOCK VALVE |
| 28 | BFR315 | HOSE 1/4" X 20" |
| 29 | WM148 | FEMALE ADAPTERS |
| 30 | WM271 | HOSE 1/4" X 102" |
| 31 | DWM119 | O-RING ADAPTER |
| 32 | LW96 | TEE |
| 33 | 23N107 | CYLINDER PIN |
| 34 | K132 | CYLINDER SPACER |

NOTE: * MEANS NOT SHOWN

FIGURE 5

MERGER EXTENSIONS

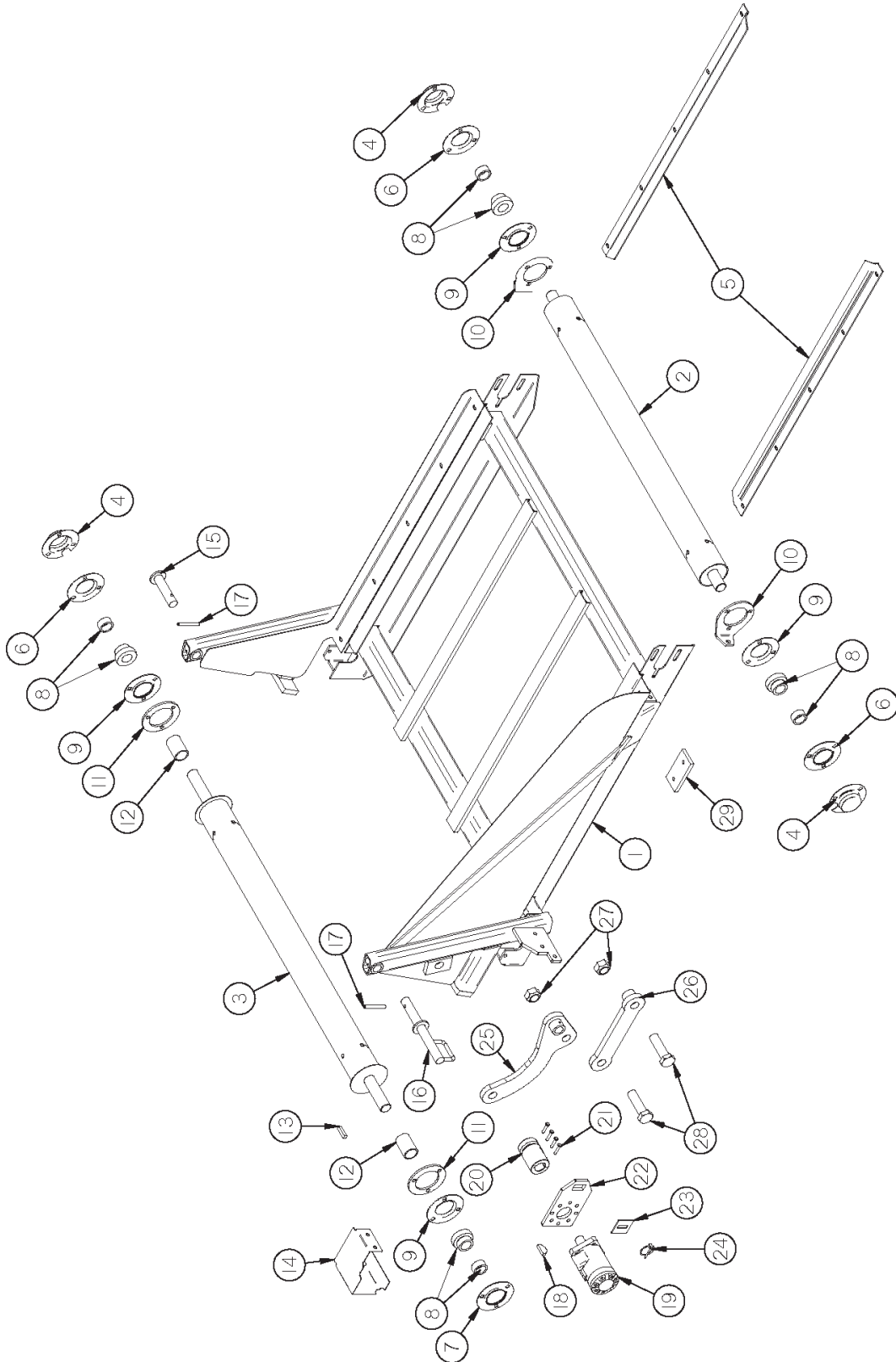


FIGURE 5

MERGER EXTENSIONS

| <u>ITEM</u> | <u>2' EXT</u> | <u>4' EXT</u> | <u>6' EXT</u> | <u>DESCRIPTION</u> |
|-------------|---------------|---------------|---------------|--------------------------------|
| 1 | WM316 | WM320 | WM321 | FRAME |
| 2 | WM244 | | | TIGHTENER ROLLER |
| 3 | WM243 | | | DRIVE ROLLER |
| 4 | F95 | | | BEARING SHIELD |
| 5 | WM272 | WM273 | WM274 | BELT GUARD |
| * | WM252 | WM253 | WM254 | BELT |
| * | SWM37 | | | LACING PIN |
| * | SWM38 | | | LACING- CROSS CONVEYOR |
| 6 | F114 | | | FLANGE W/ STRAIGHT ZERK |
| 7 | F114A | | | FLANGE W/ 45° ZERK |
| 8 | 12N122 | | | BEARING |
| 9 | F14 | | | FLANGE |
| 10 | WM250 | | | FLANGE TIGHTENER |
| 11 | 23N174 | | | FLANGE SPACER |
| 12 | WM136 | | | EXT. PVC SHIELD |
| 13 | WM121 | | | SQ. KEY 5/16" X 1" |
| 14 | WM319 | | | MOTOR SHIELD |
| 15 | WM245 | | | EXTENSION PIVOT PIN |
| 16 | WM248 | | | EXTENSION PIVOT PIN FRONT |
| 17 | YPEX10015 | | | EXPANSION PIN, 5/16" X 1-3/4" |
| 18 | 5B10 | | | WOODRUFF KEY 1/4" X 1" |
| 19 | DF1 | | | HYDRAULIC MOTOR |
| * | WM225 | | | SEAL KIT |
| 20 | DWM27 | | | COUPLER |
| 21 | YSHS08045 | | | SOCKET HEAD CAP SCREW |
| 22 | DWM39 | | | TORQUE ARM |
| 23 | DWM45 | | | MOTOR SPACER |
| 24 | YPLY08011 | | | LYNCH PIN, 1/4 X 1-9/16 #63-02 |
| 25 | WM317 | | | LONG LINK |
| 26 | WM318 | | | SHORT LINK |
| 27 | YNL32005 | | | HEX NUT, TOP LOCK, 1"-8 |
| 28 | YBHH32010 | | | BOLT 1" X 3-1/2" GR.5 |

NOTE: * MEANS NOT SHOWN

FIGURE 6
2'4'6' EXTENSION HYDRAULICS

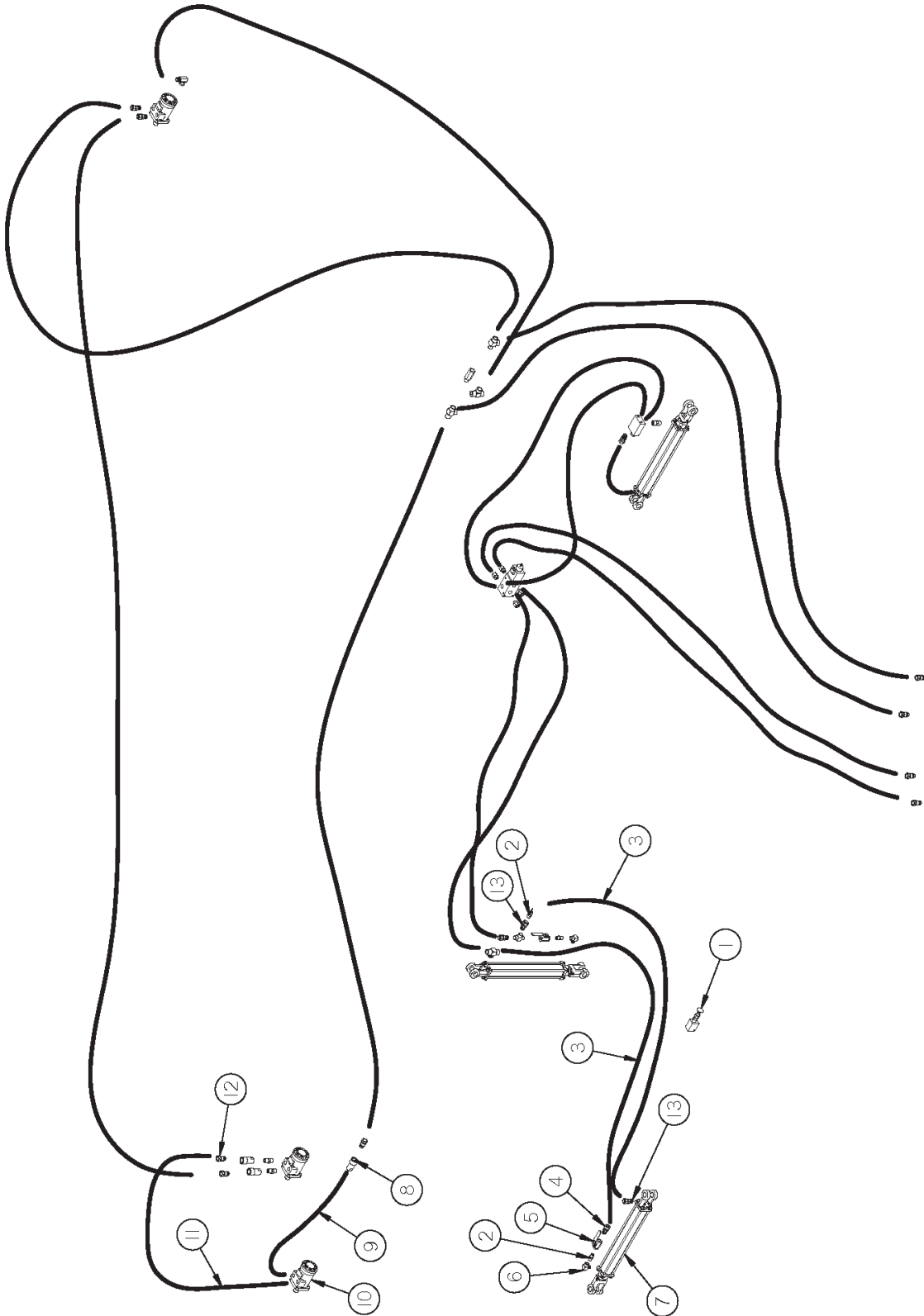


FIGURE 6

2'4'6' EXTENSION HYDRAULICS

| <u>ITEM</u> | <u>PART #</u> | <u>DESCRIPTION</u> |
|--------------------|----------------------|--|
| 1 | 16SV339 | SEQUENCE VALVE |
| 2 | BFR188 | 3/8" NIPPLE NUT |
| 3 | WM257 | HOSE 1/4" X 140" |
| 4 | T244 | 3/8" UNION ADAPTER W/ .042" ORIFICE |
| 5 | 16SV338 | 3/8" BALL VALVE |
| 6 | 23N234 | 3/8" STREET TEE |
| 7 | 56015 | 2" X 16" HYDRAULIC CYLINDER WITH 90 DEG TO PORTS |
| 8 | DWM206 | FEMALE COUPLER |
| 9 | DWM101 | HOSE, 1/2" X 49" |
| 10 | DF1 | HYDRAULIC MOTOR |
| * | WM225 | SEAL KIT |
| 11 | WM264 | HOSE 1/2" X 40" |
| 12 | DWM205 | MALE COUPLER |
| 13 | DWM233 | 3/8" ADAPTER UNION |

NOTE: * MEANS NOT SHOWN

FIGURE 7

MERGER WIRING & LIGHTS

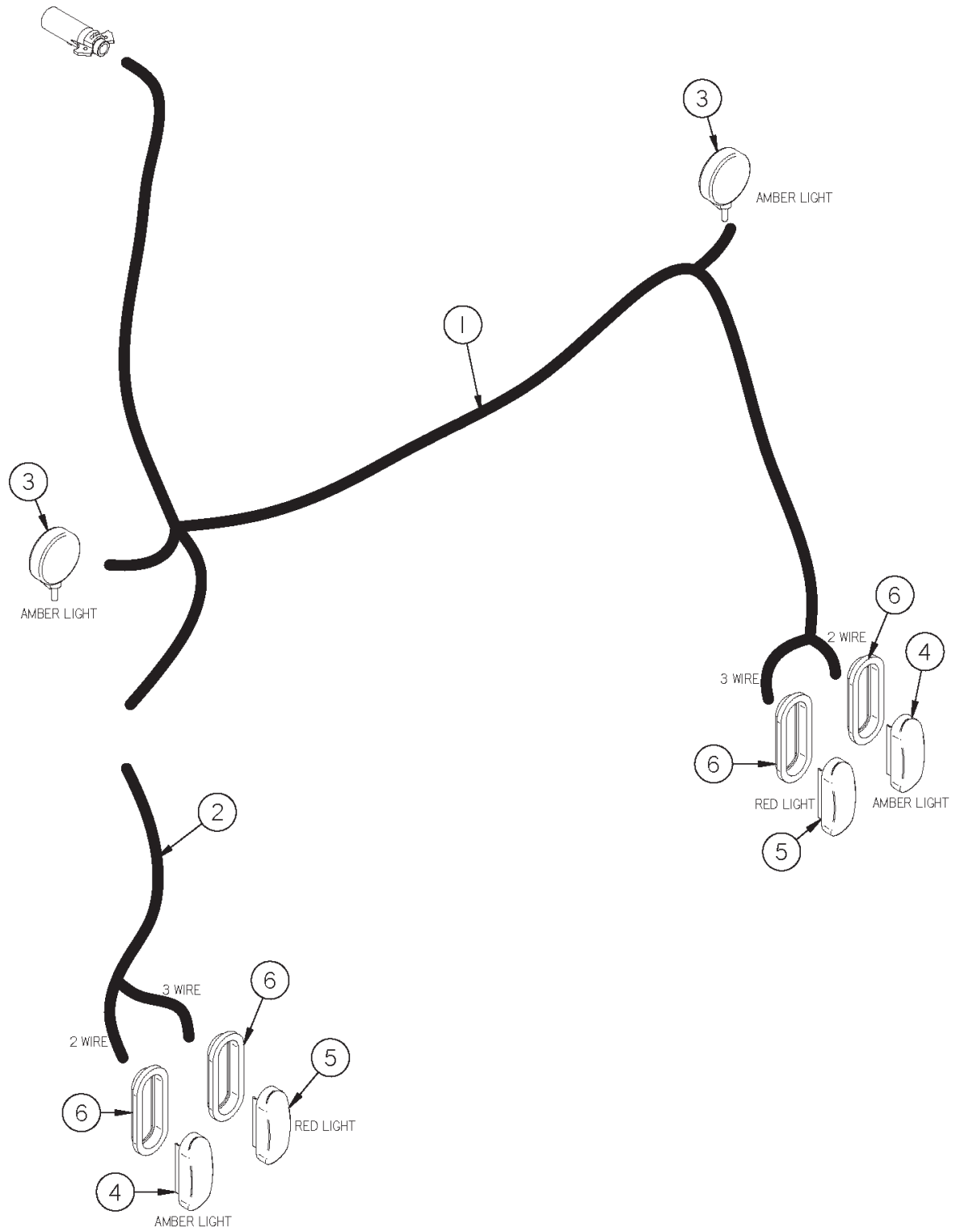


FIGURE 7

MERGER WIRING & LIGHTS

| <u>ITEM</u> | <u>PART #</u> | <u>DESCRIPTION</u> |
|-------------|---------------|--------------------------------|
| 1 | WM364 | LIGHT HARNESS (RIGHT) |
| 2 | WM366 | LIGHT HARNESS (LEFT) |
| 3 | DWM129 | YELLOW HAZARD THIN LIGHT 2-WAY |
| 4 | S309 | YELLOW HAZARD LIGHT |
| 5 | S310 | RED TAIL LIGHT |
| 6 | S308 | RUBBER LIGHT MOUNT |

FIGURE 8

MERGER WIRING

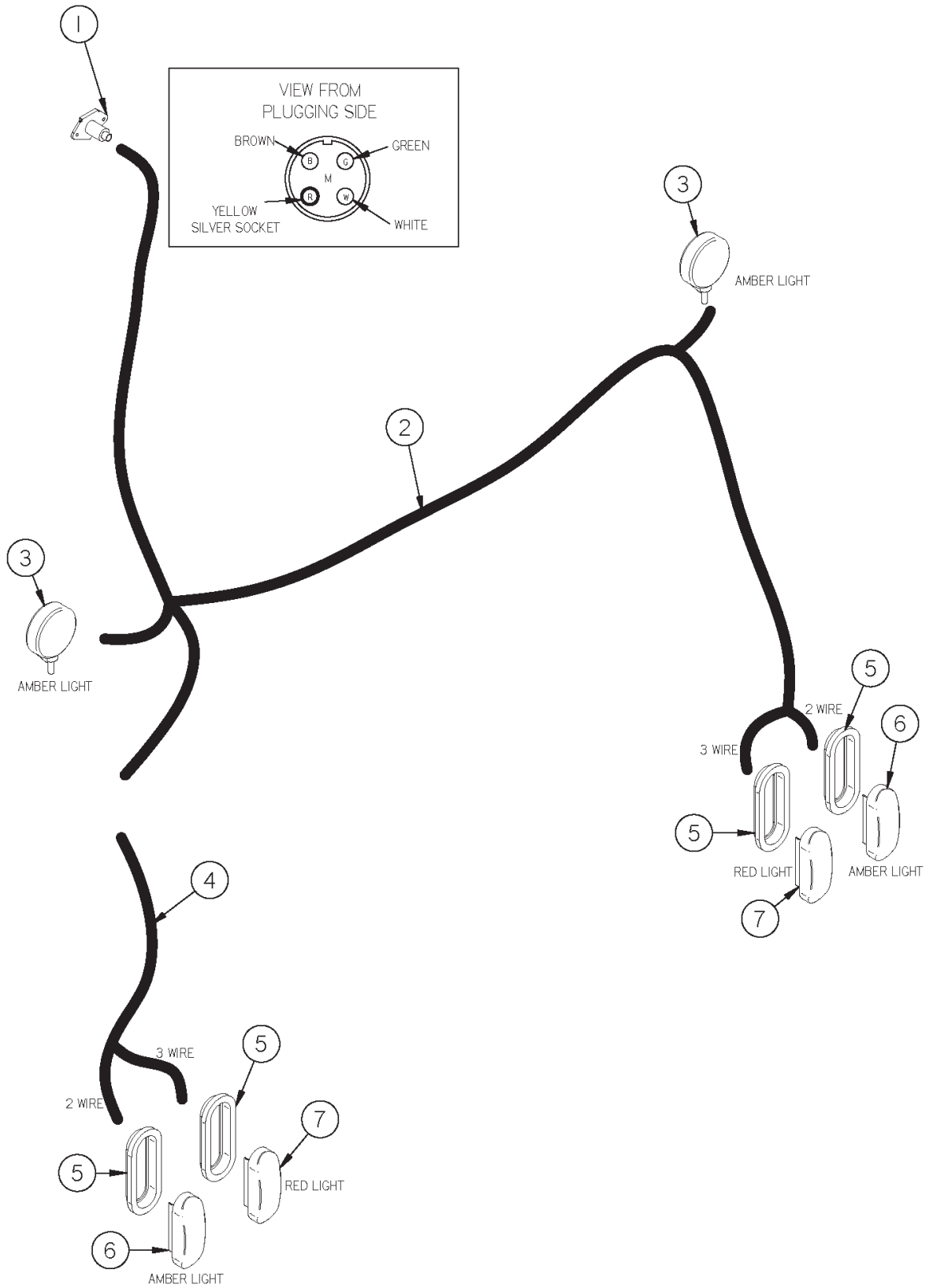


FIGURE 8

MERGER WIRING

| <u>ITEM</u> | <u>PART#</u> | <u>DESCRIPTION</u> |
|--------------------|---------------------|-----------------------------|
| 1 | SWM46 | PLUG IN |
| 2 | WM365 | LIGHT HARNESS (RIGHT) |
| 3 | DWM129 | AMBER LIGHT (YELLOW HAZARD) |
| 4 | WM366 | LIGHT HARNESS (LEFT) |
| 5 | S308 | RUBBER LIGHT MOUNT |
| 6 | DWM131 | AMBER LIGHT |
| 7 | S310 | RED LIGHT |
| * | WM331 | COMPLETE LIGHT HARNESS |

NOTE: * MEANS NOT SHOWN

FIGURE 9
MERGER CONTROL BOX

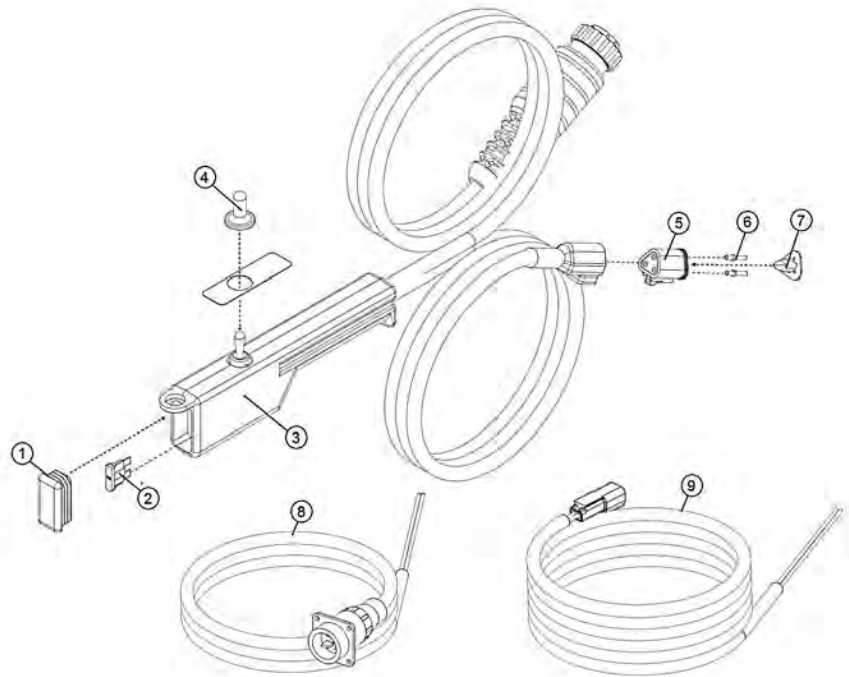


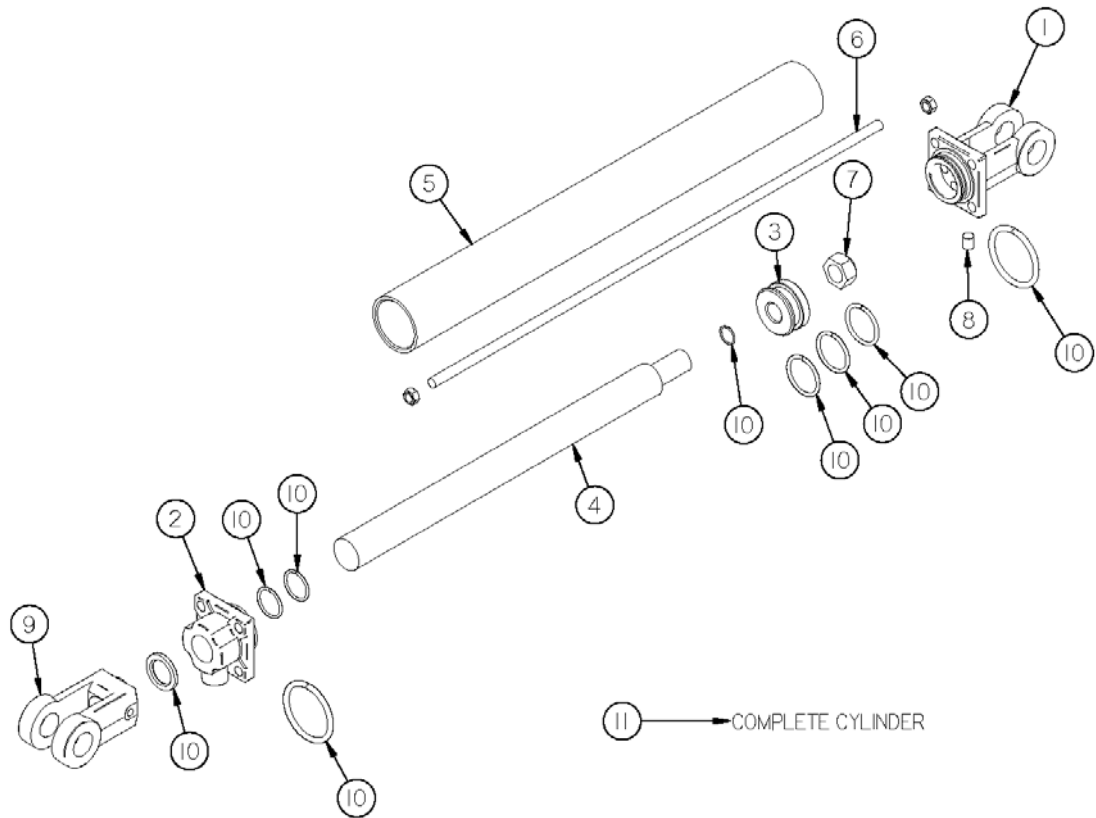
FIGURE 9
MERGER CONTROL BOX

| <u>ITEM</u> | <u>PART #</u> | <u>DESCRIPTION</u> |
|--------------------|----------------------|----------------------------------|
| 1 | 61564 | CAP |
| 2 | 61597 | FUSE, BLADE, 5AMP |
| 3 | 63363 | HAND CONTROLLER |
| 4 | 16SV235 | SWITCH BOOTS |
| 5 | 58790 | DEUTSCH 2 PIN PLUG HOUSING |
| 6 | 56760 | DEUTSCH SOCKET, SOLID, 14-16 GA. |
| 7 | 58793 | LOCKING WEDGE FOR DT06-2S |
| 8 | 16SV269 | TRACTOR CONTROL CABLE |
| 9 | WM108 | MERGER POWER SUPPLY CORD W/ENDS |
| | 63352 | HAND CONTROLLER (ON-OFF) |

NOTE: * MEANS NOT SHOWN

FIGURE 10

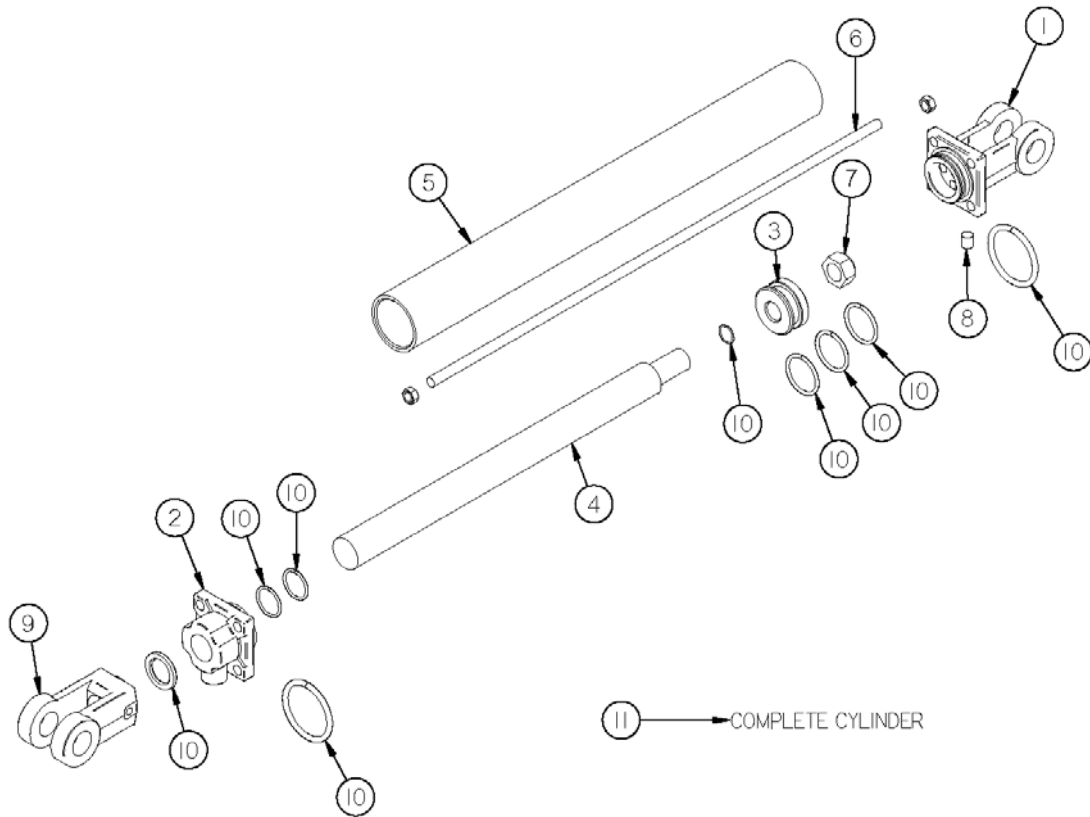
MERGER PICKUP HYDRAULIC CYLINDER 2 X 8



| ITEM | PART # | DESCRIPTION |
|-------------|---------------|--------------------|
| 1 | 23N142A | CLEVIS |
| 2 | 56174 | ROD CAP |
| 3 | 56180 | PISTON |
| 4 | T184A | ROD |
| 5 | BFR68 | CYLINDER TUBE |
| 6 | T186 | TIE ROD |
| 7 | 23N148 | PISTON NUT |
| 8 | 23N149 | PLUG |
| 9 | 23N150A | ROD CLEVIS |
| 10 | 56187 | SEAL KIT |
| 11 | 55999 | COMPLETE CYLINDER |

FIGURE 11

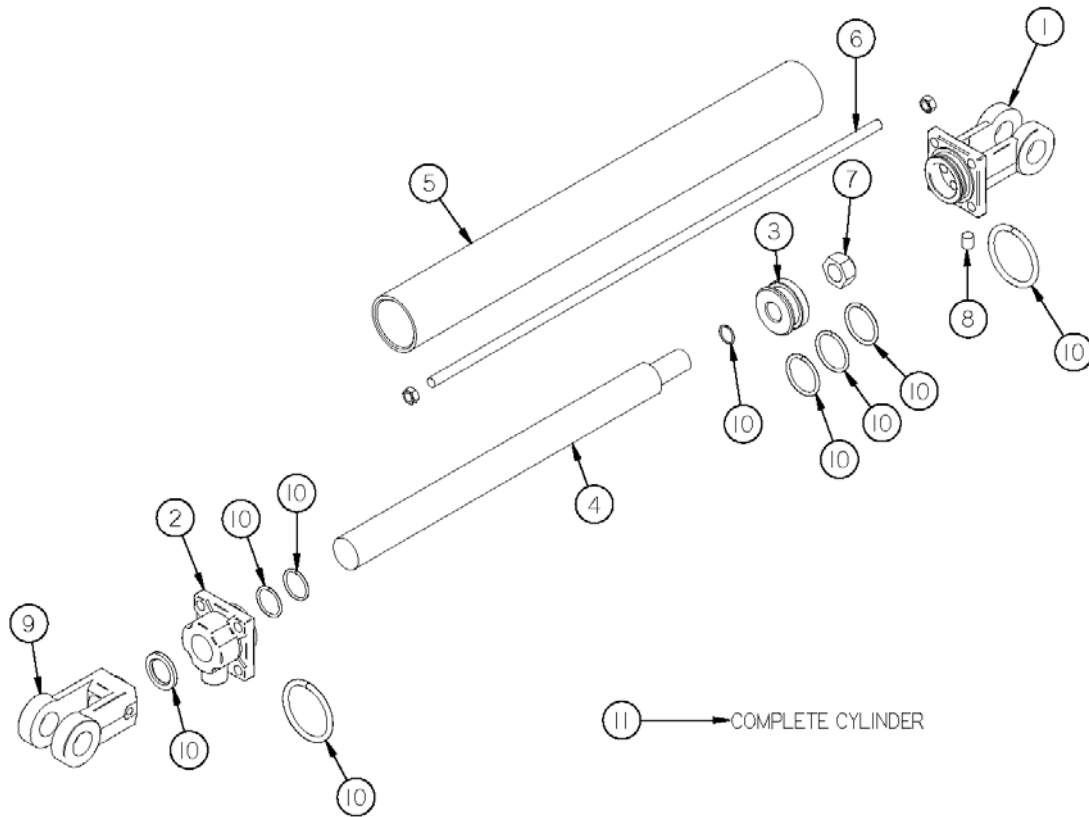
MERGER POLE HYDRAULIC CYLINDER 16"



| <u>ITEM</u> | <u>PART #</u> | <u>DESCRIPTION</u> |
|-------------|---------------|--------------------|
| 1 | 23N142A | CLEVIS |
| 2 | 23N143A | ROD CAP |
| 3 | 23N144 | PISTON |
| 4 | 23N145A | ROD |
| 5 | 23N146 | CYLINDER TUBE |
| 6 | 23N147 | TIE ROD |
| 7 | 23N148 | PISTON NUT |
| 8 | 23N149 | PLUG |
| 9 | 23N150A | ROD CLEVIS |
| 10 | 23N151 | SEAL KIT |
| 11 | 56001 | COMPLETE CYLINDER |

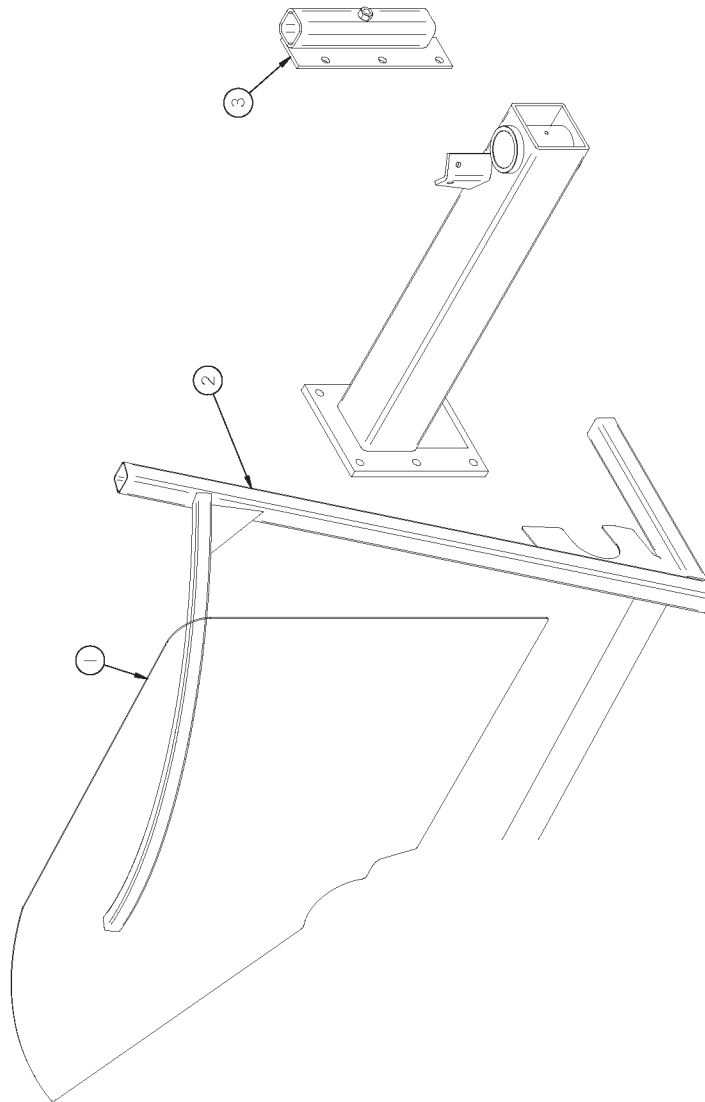
FIGURE 12

OPTIONAL EXTENSION HYDRAULIC CYLINDER



| <u>ITEM</u> | <u>PART #</u> | <u>DESCRIPTION</u> |
|-------------|---------------|--------------------|
| 1 | 23N142A | CLEVIS |
| 2 | 56174 | ROD CAP |
| 3 | 56180 | PISTON |
| 4 | 23N145A | ROD |
| 5 | 23N146 | CYLINDER TUBE |
| 6 | 23N147 | TIE ROD |
| 7 | 23N148 | PISTON NUT |
| 8 | 23N149 | PLUG |
| 9 | 23N150A | ROD CLEVIS |
| 10 | 56187 | SEAL KIT |
| 11 | 56015 | HYDRAULIC CYLINDER |

FIGURE 13
OPTIONAL WINDROW INVERTER



| <u>ITEM</u> | <u>PART #</u> | <u>DESCRIPTION</u> |
|--------------------|----------------------|---------------------------|
| 1 | SWM50 | WINDROW INVERTER POLY |
| 2 | SWM51 | WINDROW INVERTER FRAME |
| 3 | SWM52 | STORAGE MOUNT |

FIGURE 14
OPTIONAL CROSS CONVEYOR STOP KIT

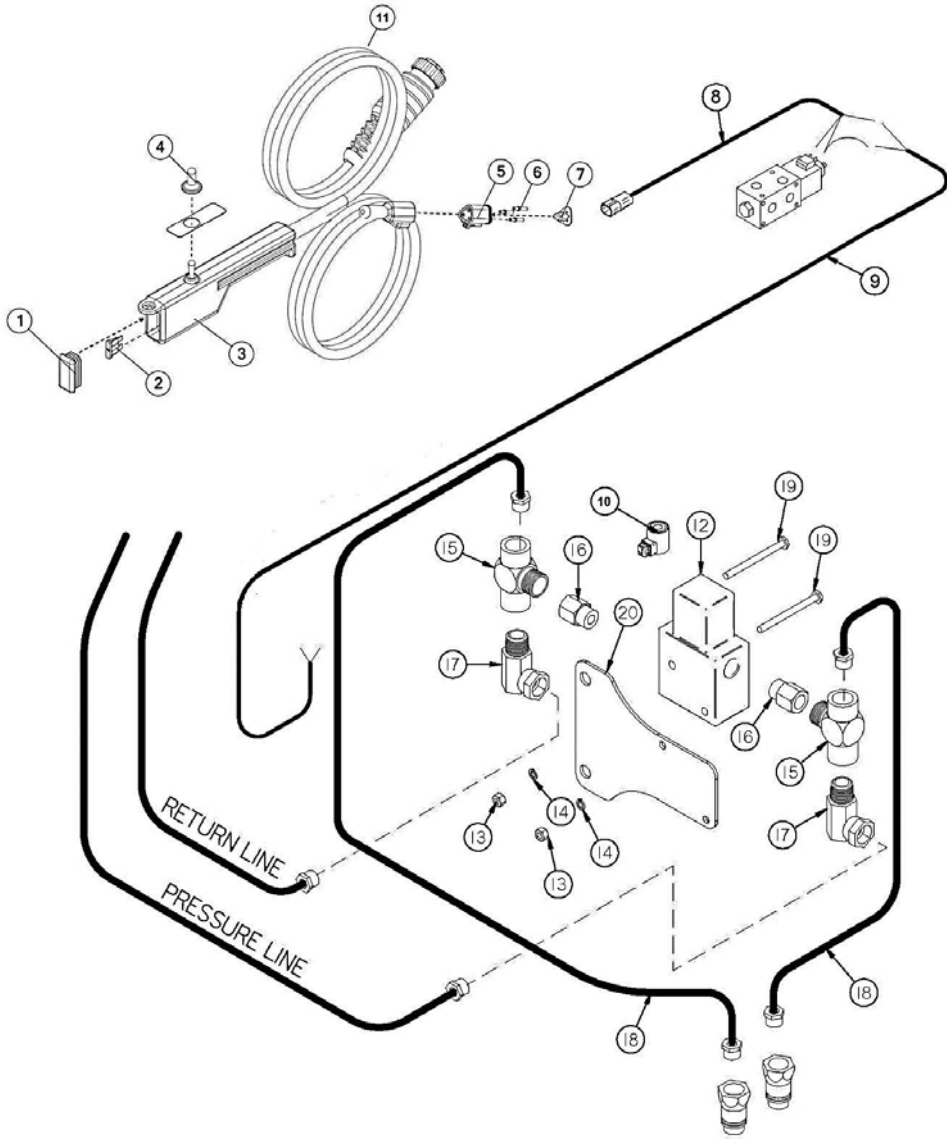


FIGURE 14

OPTIONAL CROSS CONVEYOR STOP KIT

| <u>ITEM</u> | <u>PART #</u> | <u>DESCRIPTION</u> |
|-------------|---------------|---|
| 1 | 61564 | CAP |
| 2 | 61597 | FUSE, BLADE, 5AMP |
| 3 | 63364 | HAND CONTROLLER (ON-OFF-ON) |
| 4 | 16SV235 | SWITCH BOOTS |
| 5 | 60113 | DEUTSCH, 3 SOCKET PLUG HOUSING |
| 6 | 56760 | DEUTSCH SOCKET, SOLID, 14-16 GA. |
| 7 | 60114 | WEDGELOCK, 3 SOCKET |
| 8 | WM283 | 18' POLE CORD |
| 9 | WM327 | SOLENOID CORD 23'4" |
| 10 | 8739 | COIL FOR WM293 VALVE |
| 11 | 16SV271 | CONTROL BOX POWER SUPPLY W/ PLUG IN SLOTS |
| * | 63352 | COMPLETE CONTROL BOX |
| 12 | WM293 | VALVE |
| 13 | YNHX08005 | 1/4"-20 NUT |
| 14 | YWLO08005 | 1/4" LOCK WASHER |
| 15 | WM139 | 1/2" TEE |
| 16 | WM289 | 7/8" O-RING TO 1/2" NPT BUSHING |
| 17 | WM175 | ADAPTER, UNION, 1/2" NPT MALE X 1/2" NPT SWIVEL FEMALE, 90 DEGREE |
| 18 | DWM101 | 1/2" X 49" - 1/2" MPX & 1/2"MP HOSE |
| 19 | YBHH08055 | 1/4" X 2-1/2" GR. 5 BOLT |
| 20 | WM333 | VALVE BRACKET |

FIGURE 15

OPTIONAL WET KIT

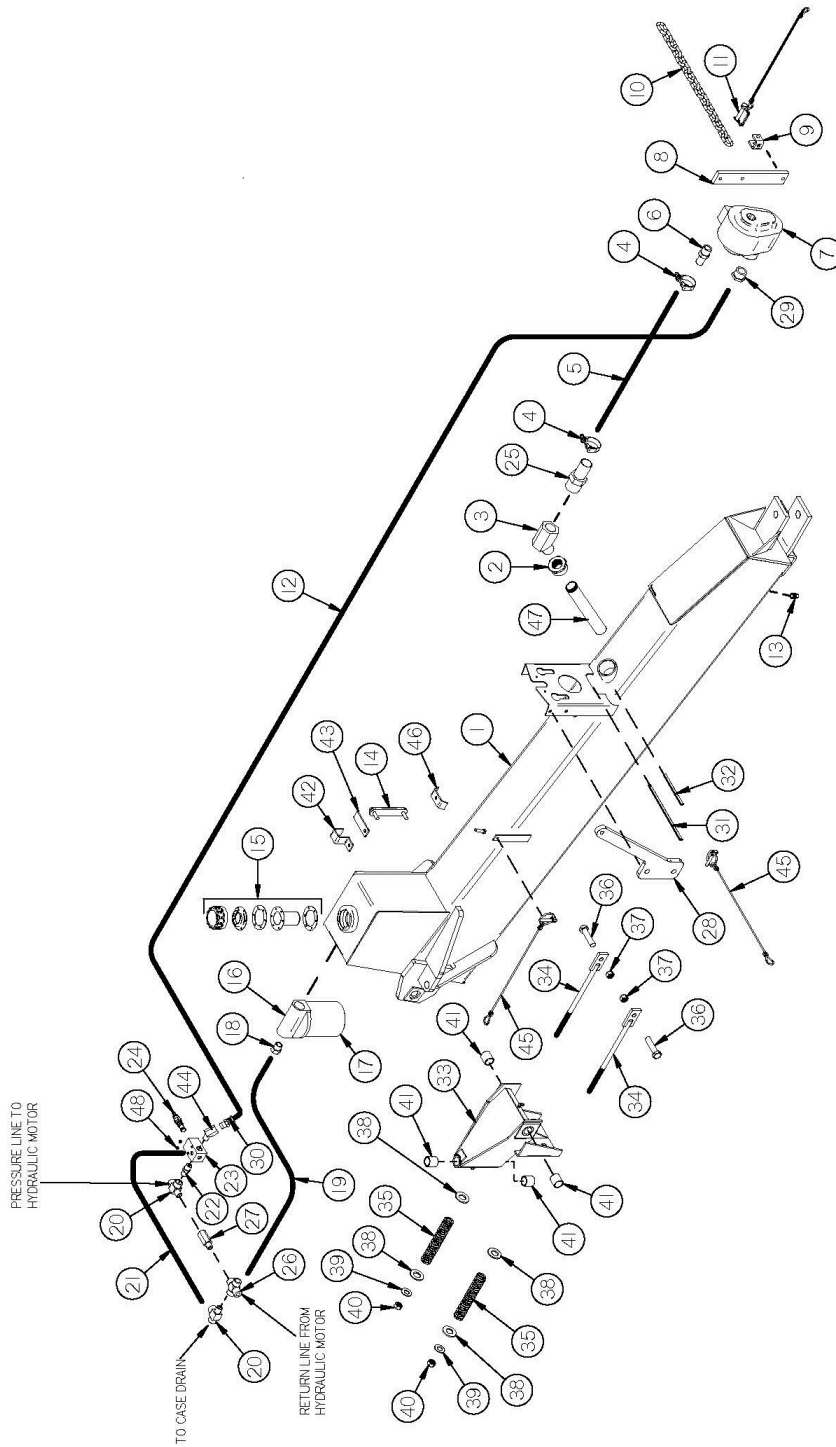


FIGURE 15

OPTIONAL WET KIT

| <u>ITEM</u> | <u>PART #</u> | <u>DESCRIPTION</u> |
|-------------|---------------|--|
| 1 | HSW15 | POLE TANK |
| 2 | 57650 | BUSHING |
| 3 | DWM242 | STREET ELBOW 45° |
| 4 | DWM138 | HOSE CLAMP |
| 5 | HSW3 | SUCTION HOSE 1-1/4" X 46" |
| 6 | HSW9 | HOSE BARB 1-5/16-12 TO 1-1/4 TUBE |
| 7 | HSW16 | PTO PUMP |
| 8 | WM168 | TORQUE ARM |
| 9 | HSW5 | CHAIN YOKE |
| 10 | BFR111 | CHAIN |
| 11 | HSW20 | LANYARD, PUMP CHAIN |
| 12 | HSW6 | HYDRAULIC HOSE 3/4 X 122 #12 SAE x 1/2 MP |
| 13 | DWM159 | DRAIN PLUG |
| 14 | DWM204 | OIL LEVEL GAUGE |
| 15 | DWM81 | FILLER STRAINER CAP |
| 16 | LW119 | FILTER BASE |
| 17 | LW289 | FILTER |
| 18 | LW99 | BUSHING 3/4" TO 1/2" |
| 19 | 16SV143 | HYDRAULIC HOSE 1/2 x 19" 1/2 MP - 1/2 MPX |
| 20 | LW96 | SERVICE TEE 1/2" |
| 21 | S395 | HYDRAULIC HOSE 1/2 x 10.5" 1/2 MP - 1/2" 90° |
| 22 | WM141 | MPX |
| 23 | 56350 | NIPPLE 1/2" |
| 24 | 56349 | RELIEF VALVE MANIFOLD |

FIGURE 15

OPTIONAL WET KIT

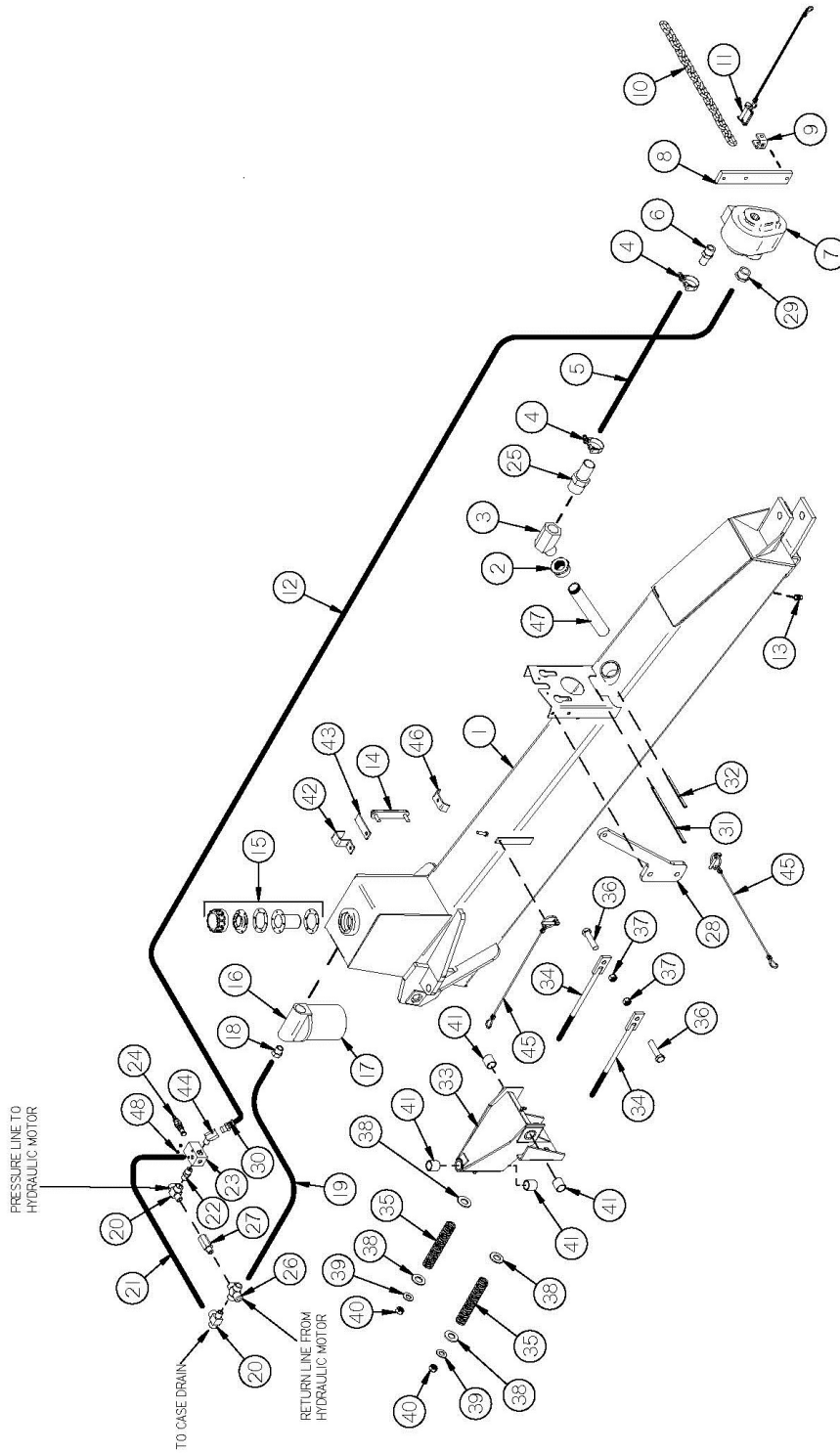


FIGURE 15

OPTIONAL WET KIT

| <u>ITEM</u> | <u>PART #</u> | <u>DESCRIPTION</u> |
|-------------|---------------|-------------------------------------|
| * | 56348 | RELIEF VALVE (ITEM #'S 23 & 24) |
| 25 | DWM143 | HOSE BARB |
| 26 | JB83 | 1/2" CROSS |
| 27 | DF18 | 1/2" CHECK VALVE |
| 28 | HSW8 | PUMP HOLDER |
| 29 | HSW10 | PORT BUSHING 1-5/16-12 TO 1-1/16-12 |
| 30 | MA12 | 1/2" MALE ADAPTER UNION |
| 31 | HSW11 | HOLE EDGING |
| 32 | HSW12 | SLOT EDGING |
| 33 | HSW14 | SPRING ASSIST PIVOT |
| 34 | RG10 | SPRING ADJUST ROD |
| 35 | T148 | SPRING |
| 36 | YBHH20020 | BOLT, 5/8" X 1-3/4" GR. 5 |
| 37 | YNTL20005 | HEX NUT, TOP LOCK, 5/8"-11 |
| 38 | RG9 | SPRING RETAINER |
| 39 | YWFL20005 | WASHER, FLAT, 5/8" USS |
| 40 | YNNY20005 | HEX NUT, NYLON LOCKNUT, 5/8"-11 |
| 41 | RG11 | 1" ID X 1-1/4" OD X 2" BUSHING |
| 42 | HE15 | HOSE CLAMP |
| 43 | HSW17 | HOSE CLAMP BASE |
| 44 | LW187 | STREET ELBOW 45° |
| 45 | WM377 | LANYARD, CROP ROLLER |
| 46 | HE42 | HOSE HOLDER |
| 47 | 0106-PI-2 | SUCTION PIPE |
| 48 | 1134 | 1/4" NPT HEX HEAD PIPE PLUG |

NOTE: * MEANS NOT SHOWN

FIGURE 16

EXTENSION SHUTOFF

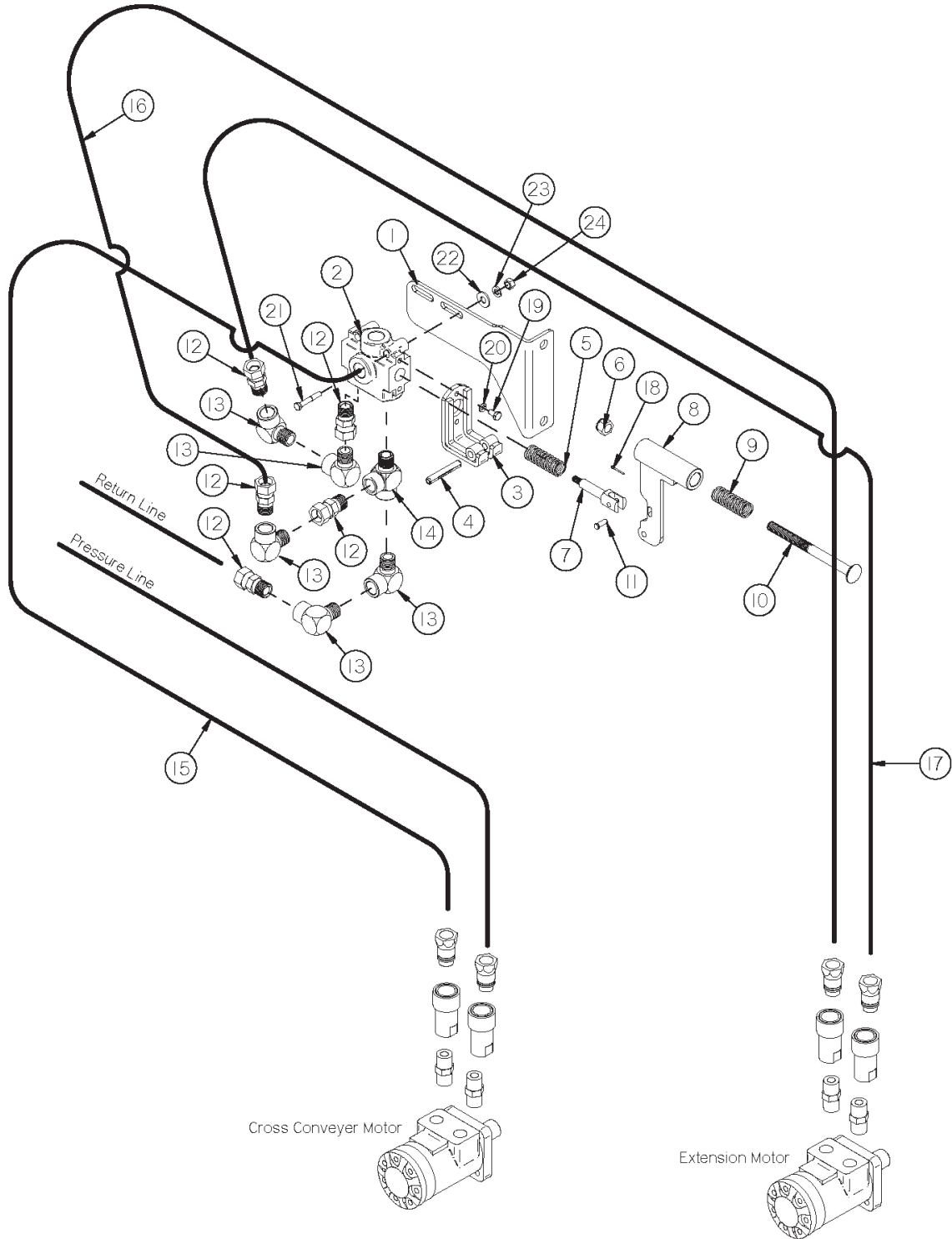


FIGURE 16

EXTENSION SHUTOFF

| <u>ITEM</u> | <u>PART #</u> | <u>DESCRIPTION</u> |
|--------------------|----------------------|------------------------------|
| 1 | WM335 | SHUT-OFF BRACKET |
| 2 | 16SV133 | SELECTOR VALVE |
| 3 | WM324 | SHUT-OFF LEVER BRACKET |
| 4 | YPEX12020 | EXPANSION PIN, 3/8" X 2" |
| 5 | T241 | SPRING |
| 6 | YNNJ16005 | HEX NUT, NYLON JAM NUT, 1/2" |
| 7 | WM336 | SPRING PIN |
| 8 | WM334 | SPRING GUIDE LEVER |
| 9 | 23N211 | SPRING |
| 10 | WM337 | SPRING GUIDE BOLT |
| 11 | YPCV08005 | CLEVIS PIN, 1/4" X 1" |
| 12 | MA12 | 1/2" MALE ADAPTER UNION |
| 13 | HE58 | STREET ELBOW (5502-8-8) |
| 14 | LW96 | SERVICE TEE (5602-8) |
| 15 | WM263 | HYDRAULIC HOSE |
| 16 | WM264 | HYDRAULIC HOSE |
| 17 | DWM101 | HYDRAULIC HOSE |
| 18 | YPCT02005 | COTTER PIN, 1/16" X 1/2" |
| 19 | YBHH08015 | BOLT, 1/4" X 1/2" GR. 5 |
| 20 | YWLO08005 | WASHER, LOCK, 1/4" |
| 21 | YBHH10070 | BOLT, 5/16"-18 X 2" GR. 5 |
| 22 | YWFL10005 | WASHER, FLAT, 5/16" USS |
| 23 | YWLO10005 | WASHER, LOCK, 5/16" |
| 24 | YNHX10005 | HEX NUT, 5/16" |

H&S MFG. CO.

products approved

for the

FEMA

SEAL OF QUALITY

